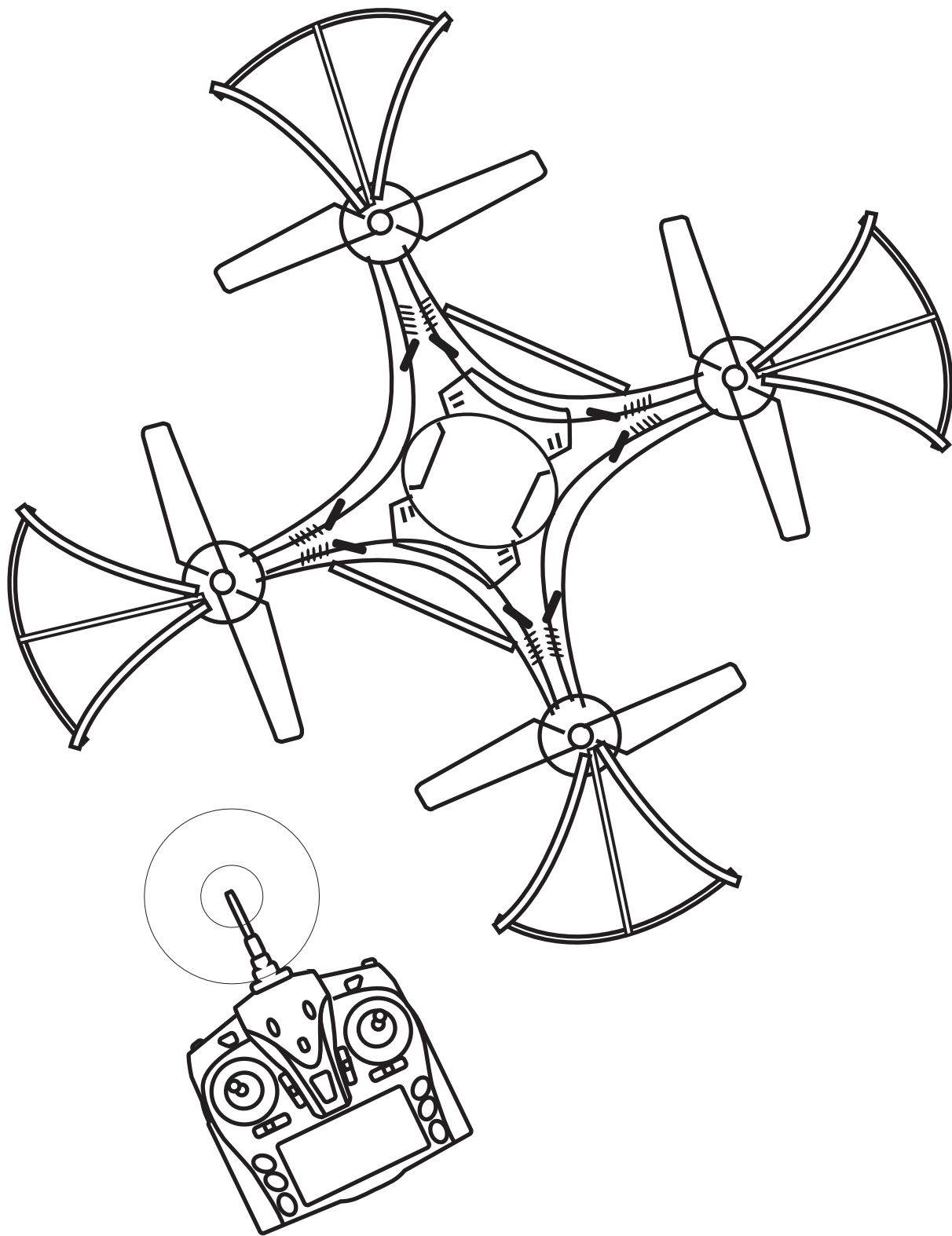




# SHARPER IMAGE®

# 10+

## Camera Drone



**CHOKING HAZARD –**  
 SMALL PARTS NOT FOR CHILDREN UNDER 3 YEARS.  
 ADULT ASSEMBLY REQUIRED.



# SHARPER IMAGE®

## Camera Drone

### INTRODUCTION

Congratulations on your purchase of the Sharper Image Remote Control Sky Drone. Get ready to soar to new heights. Discover the world of aerial photography with the camera. Master the art of stunt flying with remote control maneuverability. This lightweight drone will provide hours of fun.

### SPECIFICATIONS

Micro SD card and reader are compatible with Microsoft Windows 7 and above and Mac OS 10.6 and above

Drone Battery: 3.7V/800 mAh Li-Po  
Remote Controller Battery: 6 x 1.5V AA (LR6) (not included)

Charging Time: Approximately 120 minutes (2 hrs)  
Flying Time: Approximately 7 minutes

Maximum altitude: 150 ft

Photos & Video:

- 0.3 MP camera: 25,000 pictures or 40-50 minutes of video
- 2.0 MP camera: 7,500 pictures or 25-30 minutes of video

## TABLE OF CONTENTS

General Warnings	Page 1
Contents and Remote Battery Installation	Page 2
Charging Battery and Assembling Drone	Page 3
Remote Overview	Page 4
Operating Drone	Page 5
Camera and Modes	Page 6
Tips, Replacing Propellers, and FCC Warning	Page 7

# SHARPER IMAGE®

## Camera Drone

READ ALL WARNINGS AND PRECAUTIONS BEFORE USE

### SAFETY WARNINGS:

- Not recommended for children under 10 years of age. As with all electrical products, precautions should be observed during handling and use to reduce the risk of electrical shock.
- Adult supervision is required at all times
- Before each use, an adult should review the product and battery to determine that no damage or hazards exist
- **NEVER TOUCH SPINNING PROPELLERS**
- Do not allow anything to intentionally make contact in any way with spinning propellers
  - Prevent contact with spinning blades by turning off remote prior to handling drone
- **Use caution and pay attention to your surroundings while operating RC Sky Drone**
- **Do not fly RC Sky Drone into animals, people, or inanimate objects**
- Keep drone away from power lines, buildings, trees, public areas, and any other potentially hazardous areas
- Do not operate in rain, heavy wind, and or any type of severe weather
- Do not land RC Sky Drone on wet surfaces
- Never touch or allow others to touch RC Sky Drone while it is flying
- Always turn RC Sky Drone off when it is not in use
- Always fly RC Sky Drone in large open areas
- Always remove LiPo battery from drone prior to storage



**PLEASE RECYCLE OR  
DISPOSE OF ELECTRONICS  
PROPERLY RECYCLING  
INFORMATION IS AVAILABLE AT  
[MSCUSTOMERCARE.COM](http://MSCUSTOMERCARE.COM)**

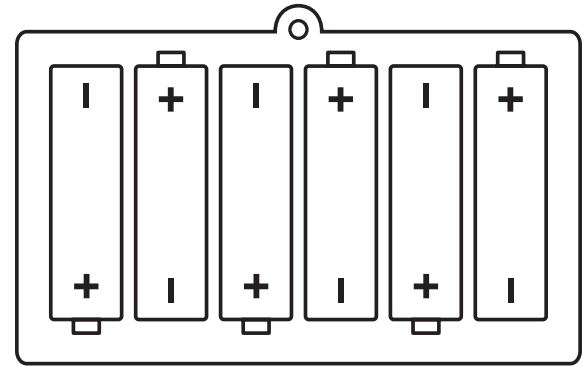
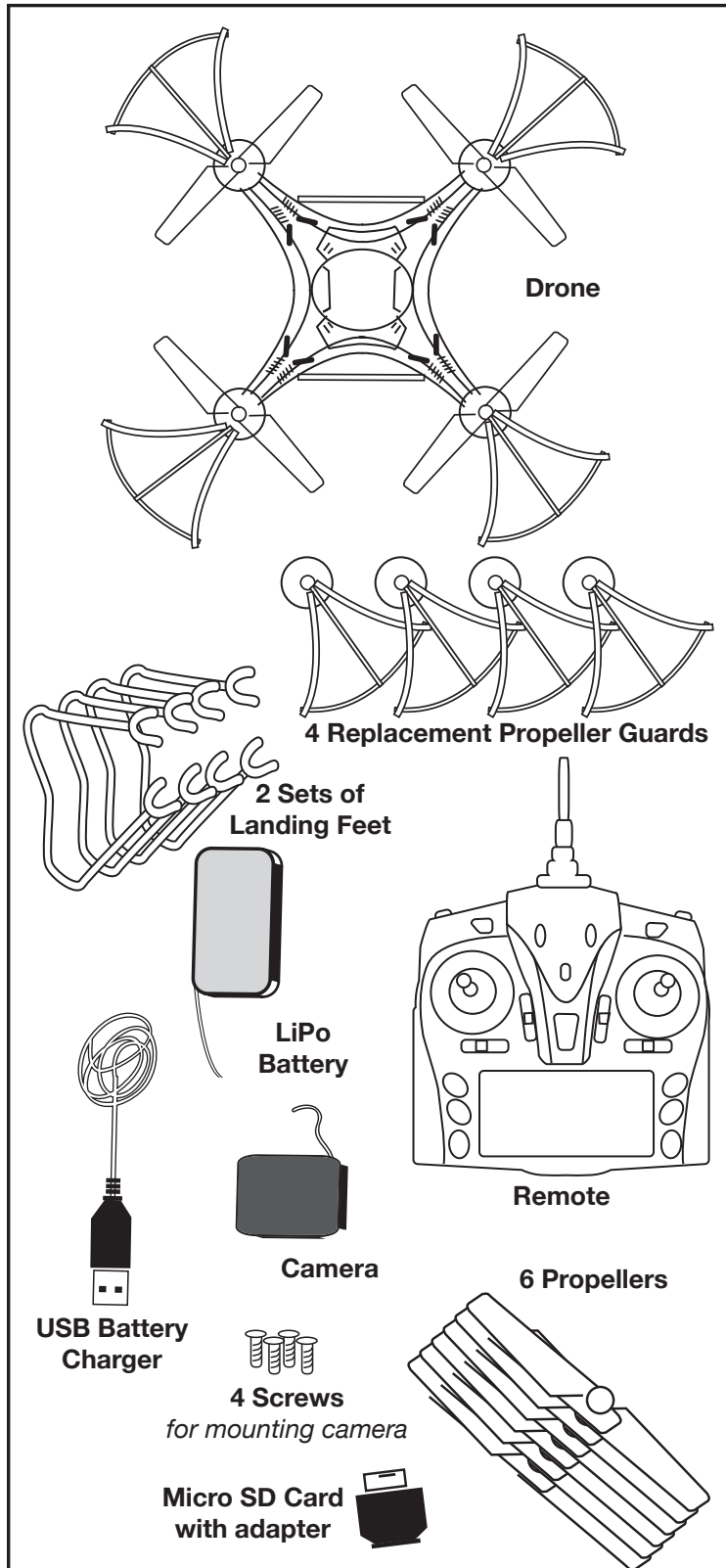
### PLEASE NOTE:

Always be mindful of others privacy and do not record video or take images of others without their consent. Check and comply with your federal, state and local laws regarding privacy.

# SHARPER IMAGE®

## Camera Drone

### CONTENTS



### REMOTE BATTERY INFORMATION

1. Using a Phillips screwdriver open the remote's battery compartment
2. Install 6 "AA" batteries as shown in diagram shown above
3. Replace and close battery compartment using Phillips screwdriver

### **⚠ BATTERY WARNING - LITHIUM-POLYMER:**

- There is a risk of fire and injury if battery is handled or misused
- Only use manufacturer specified charger
- Do not expose battery to extreme temperatures or moisture
- Keep away from flammable materials
- Remove batteries when not in use
- Recycle or dispose of batteries according to federal, state, and local laws
- Do not dispose of batteries in a fire - they may leak and explode
- Please wait at least 10 minutes after operating your drone before accessing the battery, camera, or other critical drone components. These components can become hot during operation
- Do not mix old and new batteries
- Do not mix alkaline, standard (carbon-zinc), or rechargeable (nickel-cadmium) batteries
- Insert batteries using the correct polarity. Do not short-circuit the supply terminal
- Only use manufacturer specified batter(ies), charger(s), and/or adapters, if applicable, specified by the manufacturer
- Always use, replace, and recharge (if applicable) batteries under adult supervision
- KEEP THIS INSTRUCTION MANUAL FOR REFERENCE

# SHARPER IMAGE®

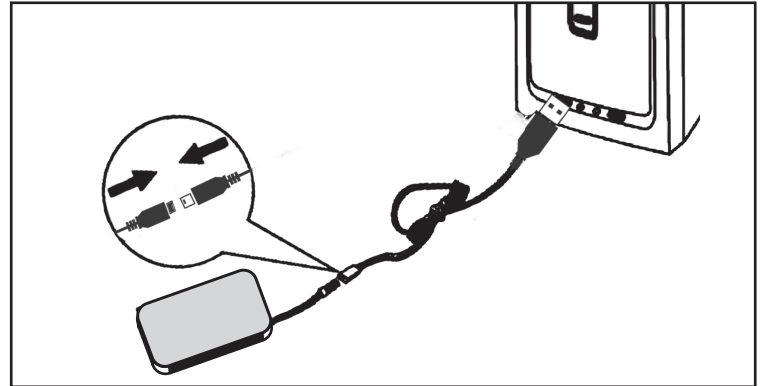
## Camera Drone

### CHARGING BATTERY

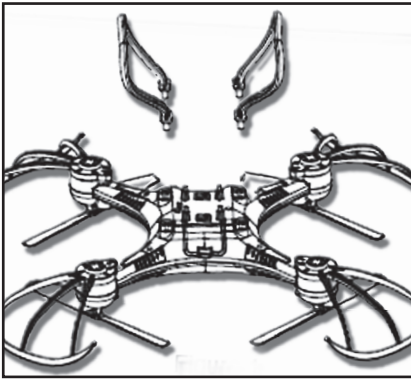
Note: The Battery Charger will light up when it is charging the battery and turn off when the battery is fully charged. Charge time is approximately 180 minutes.

Connect the Battery to USB charging cord.

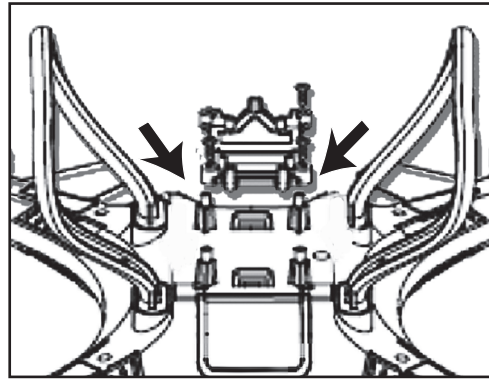
Connect USB connector to power source.



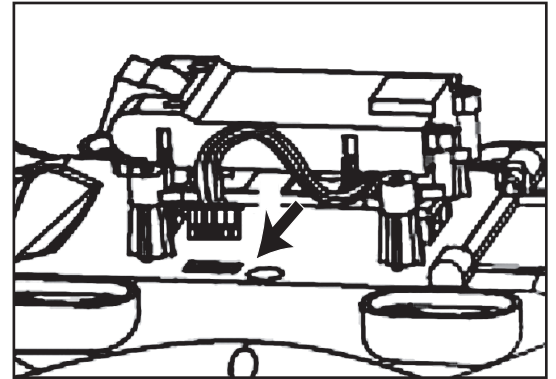
### ASSEMBLING THE DRONE:



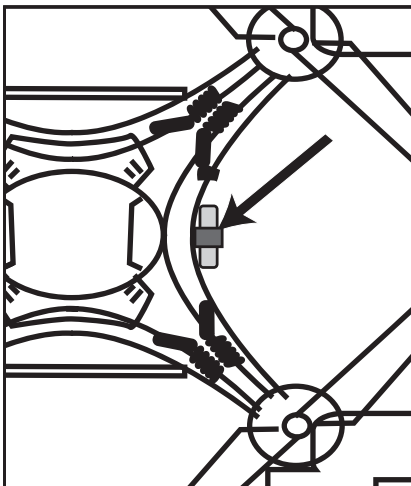
1. Install landing feet.



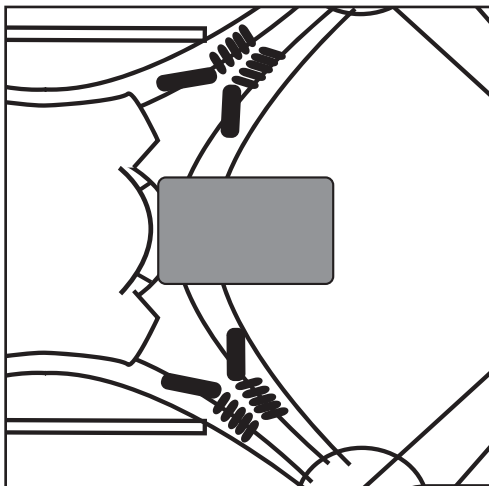
2. Use a Phillips head screwdriver to install the camera. The camera lens should face away from the drone's door.



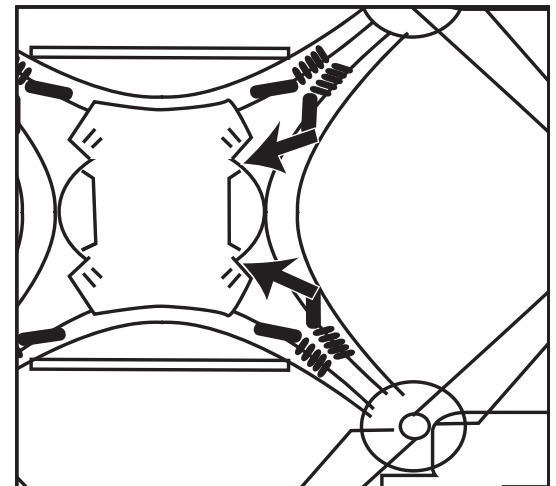
3. Plug the camera into the drone's body. Insert SD card into the side of the camera.



4. Open the drone's door and pull out the red battery connector.



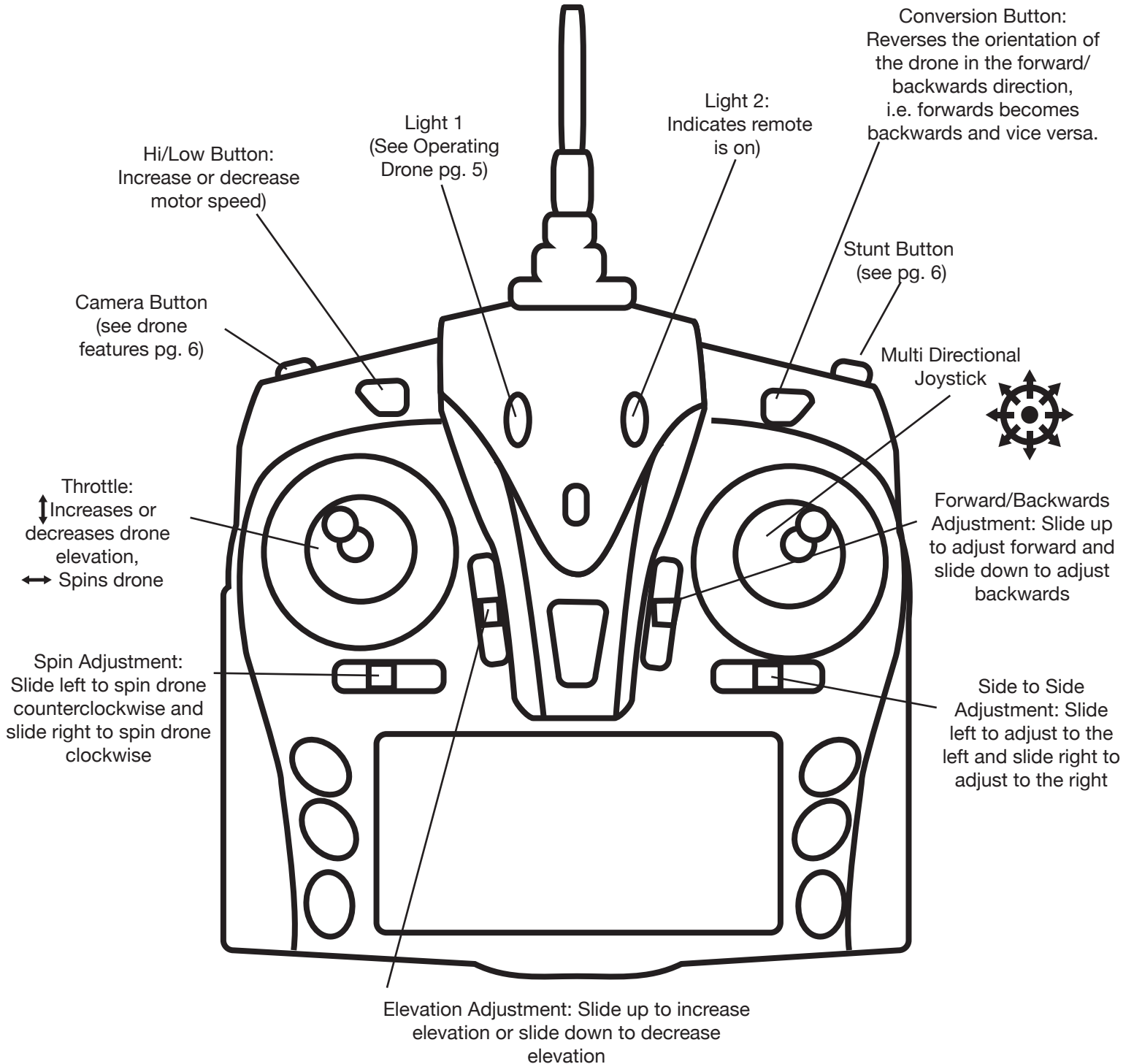
5. Slide the battery into the drone's cavity.



6. Tuck the Drones wires into the body of the drone and close the door. Your drone is now assembled.

# SHARPER IMAGE®

## Camera Drone



**Replace the remote's batteries when Light 2 begins to blink. During this time the remote's signal range will be reduced**

## Camera Drone

### OPERATING DRONE:

#### STEP 1 – PRE FLIGHT CHECKLIST

1. Read all warnings and instructions
2. Install remote batteries, page 2.
3. Charge battery, page 3.
4. Assemble Drone, page 3.
5. Make sure that drone and remote are powered off.

#### STEP 2 – CHOOSING A LOCATION

1. Drone is designed to be flown indoors or outdoors.
2. Wind should be less than 10 MPH.
3. Always make sure you have enough space to fly drone.
4. Always follow warnings, page 1.

#### STEP 3 – STARTING DRONE

1. Making sure your remote is off, connect drone battery. Drone lights will begin to flicker.
2. Choose a flat even surface and follow the diagram on page 6.
3. Turn remote on. Remote will beep and Light 1 will blink. When the drone is paired to remote, drone lights will flicker rapidly then lights will turn on permanently.
4. Drone is ready for flight.

#### STEP 4 – LIFT OFF

1. Choose the speed of the motor by using the Hi/Low Button.
2. Bring the Throttle all the way down.
3. Slowly and carefully bring the throttle up. Propellers will begin to spin and drone will begin to elevate. You can compensate for some of the drones drifting by using the Multi Directional Button or by following step 5.

#### STEP 5 – DRONE BEGINS TO DRIFT

Follow these steps if your drone begins to drift while take off or during flight.

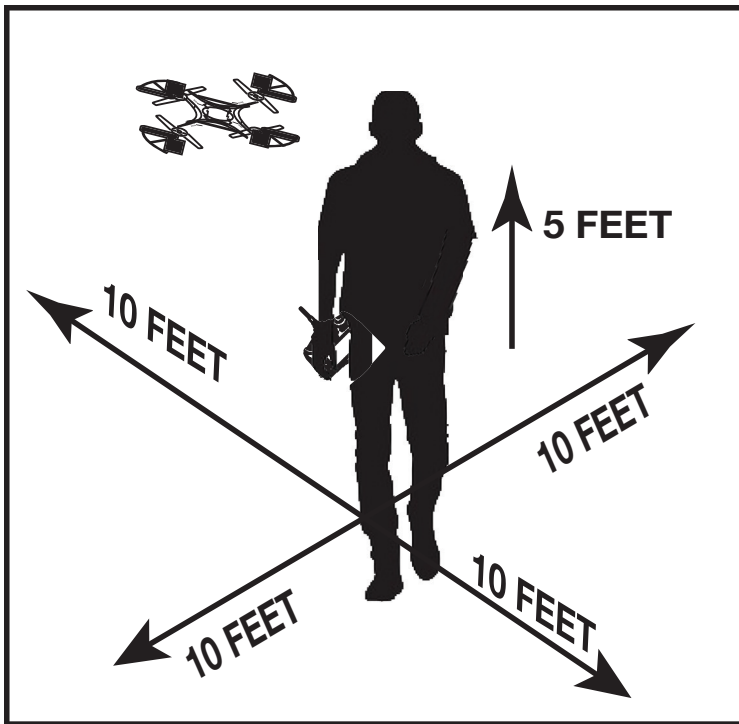
1. Drone drifts backwards: Slide the Forward/Backwards Adjustment up.
2. Drone drifts forwards: Slide the Forward/Backwards Adjustment down.
3. Drone drifts left: Slide the Side to Side Adjustment to the right.
4. Drone drifts right: Slide the Side to Side Adjustment to the left.
5. Drone spins clockwise (viewing drone from top): Slide the Side to Side Adjustment to the left.
6. Drone spins counter-clockwise (viewing drone from top): Slide the Side to Side Adjustment to the right.

#### STEP 6 – OPERATING DRONE IN FLIGHT

1. The drones range is approximately 150 feet and a maximum 10 MPH wind is recommended for flight.
2. Read and be aware of all warnings found on page 1.
3. Maintain your desired elevation by using the Throttle.
4. Use the Throttle joystick left or right to spin the drone.
5. Use the Multi Directional Button to move forwards, backwards, and side to side.
6. Review step 5 if your drone begins to drift.
7. Change motor speed by pressing the Hi/Low Button.
8. Press the Stunt Button and the Multi Directional Button to perform acrobatic stunts, see page 6.
9. Use the camera mode at any time before, during, and or after flight, see page 6.

# SHARPER IMAGE®

## Camera Drone



### CAMERA – LIGHTS BREAKDOWN

A solid blue light signifies that there is power to the camera.

A blinking red light along with a solid blue light indicates no SD card is present or there is an error.

A constant red light signifies video is recording.

A single red light flicker signifies a picture was taken.

### STUNT MODE

Once you are comfortable flying the drone, use the Stunt Button to perform acrobatic stunts.

1. Hover the drone to at least above 5 feet.
2. Press the Stunt Button. You will hear beeping coming from the remote.
3. Move the Multi Directional Button to the desired direction that you would like the drone to flip.
4. Once you are comfortable with Stunt Mode, you can create multiple flips. Press the Stunt Button and then move the Multi Directional Button to the desired direction you would like the drone to flip, continue to hold the joystick in the desired direction of the stunt. The drone will continue to flip in the direction you held the joystick.

### CAMERA – TAKING PICTURES AND CREATING VIDEOS

**Taking a Picture** - Press Camera Button once to take a picture. You will hear a beep sound coming from the remote. The red camera light will blink once.

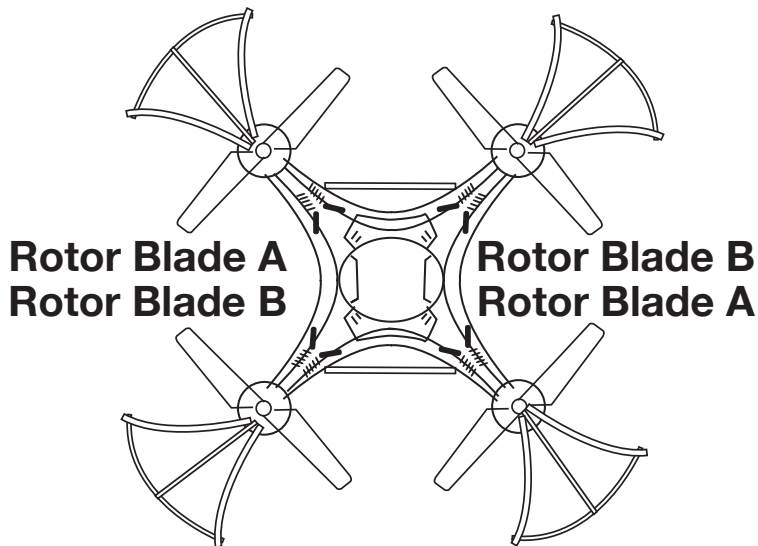
**Creating Video** - Press and hold the Camera Button until you hear a beep, a video recording will begin. The red light will turn on. Press and hold the Camera Button a second time to stop recording. You will hear a beep and the red light will turn off.

**Note:** Pictures and video cannot be taken at the same time.

**Note:** Use the micro USB adapter to view your videos and images on your computer.



## Camera Drone



### TIPS

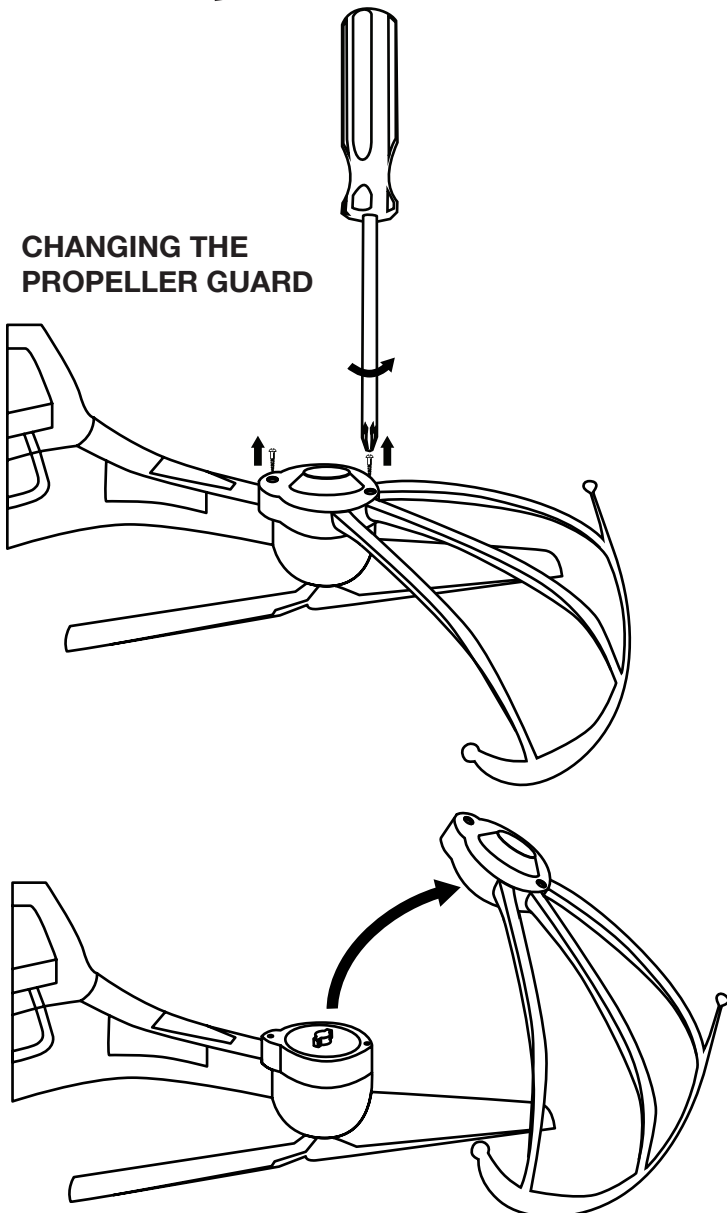
- Do not crash drone into sand or dirt. Drone gears may become clogged.
- When first learning to fly, practice lifting off and hovering.
- Stay several feet from walls and buildings.
- Always Press Throttle all the way down after crashing or when something gets stuck in propellers.
- Unplugging the drone's battery and then plugging it back in will reset the drone.

### CHANGING THE PROPELLERS, PROPELLER GUARDS AND LANDING SKIDS

- Follow the picture on the left.
- Using a Phillips screwdriver remove the screws on the sides of the propellers.
- Make sure you installed the correct blade
- Each blade has a letter written on it.

NOTE: Blade A turns counter clockwise and Blade B turns clockwise.

### CHANGING THE PROPELLER GUARD



**FC** This device complies with Part 15 of the FCC Rules. Operation is subject to the following two conditions: (1) this device may not cause harmful interference, and (2) this device must accept any interference received, including interference that may cause undesired operation.

If this equipment does cause harmful interference to radio or television reception, which can be determined by turning the equipment off and on the user is encouraged to try to correct the interference by one or more of the following measures:

- Reorient or relocate the receiving antenna,
- Increase the separation between the equipment and receiver.
- Connect the equipment into an outlet on a circuit different from that to which the receiver is connected.
- Consult the dealer or an experienced radio/TV technician for help.

©2015 Sharper Image Holdings, LLC. All rights reserved. THE SHARPER IMAGE® name and logo are registered trademarks of Sharper Image Holdings, LLC used under license by MerchSource, LLC. All other logos and trademarks are proprietary to their respective owners. The artwork and design of this package are protected by US copyright law and may not be reproduced, distributed, published or used for any purpose without prior written permission. Altering, removing or reproducing any of the trademark or copyright notices on this package is not permitted.

©2015 MerchSource, LLC. All rights reserved.

Distributed by MerchSource, LLC, Irvine, CA 92618

Printed in China.